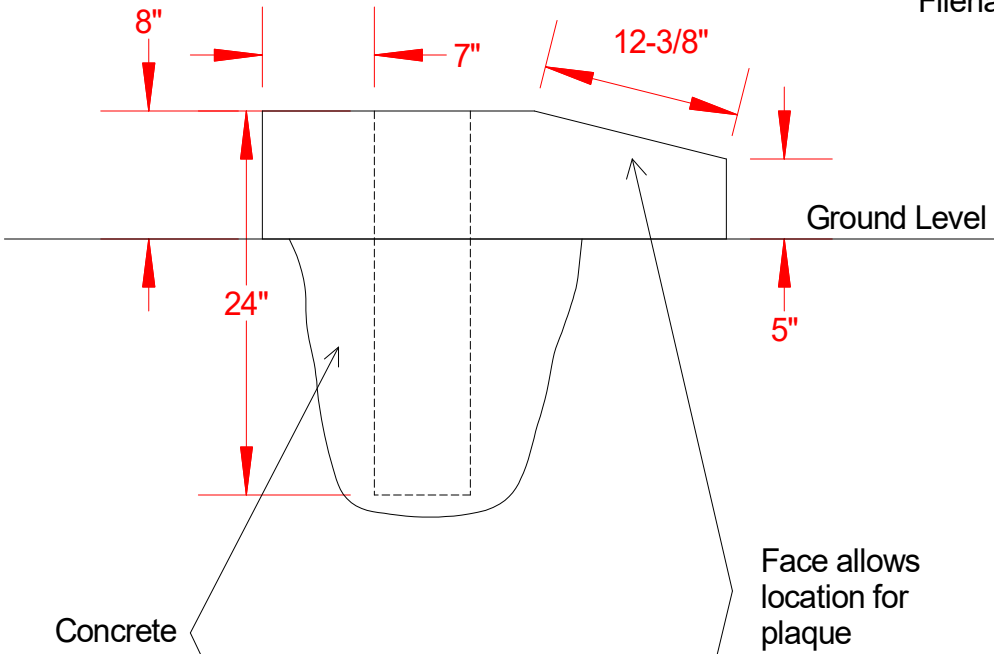


Keystone Marker Concrete Base, Version 1

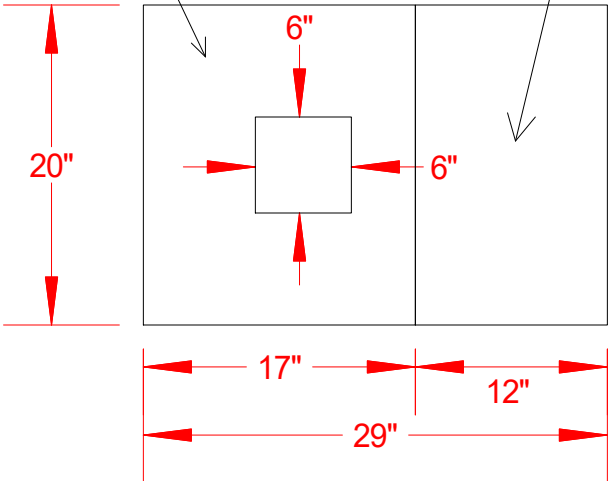
1 September 2021, from Greg Csehski

Filename: Keystone Marker Concrete Base Version 1.SKF

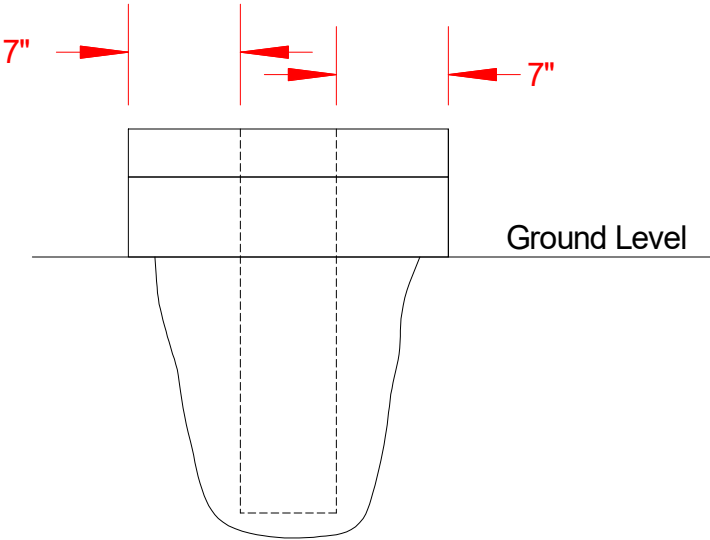
Side View



Top View



Front View



Design Unknowns:

1. How deep is the post designed to be buried?
2. What are the bottom post dimensions?
3. Dimensions may need to be adjusted.

Design Ideas:

1. Post will be slid into opening in concrete base.
2. Post will be leveled using sand or blue stone dust.
3. Face allows space for a future plaque.
4. Posts reinstalled along edges of road but set back further away from the road for protection.
5. Post opening is 1" larger than post base.
6. Concrete mixed and poured on site.